



MP Antenna, LTD.
147 Eady Court
Elyria, Ohio 44035

440.387.5968 phone
440.545.3500 fax
www.mpantenna.com
sales@mpantenna.com

Model: Omni Directional WiFi Antenna

item part number: 08-ANT-0946
product description: 4.9-4.94GHz Omni Antenna

Electrical Data

frequency range:	4.9-4.94 GHz	environmental cond.:	Outdoor
gain:	6dBi *	operation temperature:	-40 to 85 deg C
vswr:	<1.1-1.2:1	storage temperature:	-40 to 85 deg C
horizontal pattern type:	Horizontal	transport temperature:	-40 to 85 deg C
vertical patter type:	Vertical	IP Rating:	IP67
ground plane:	Not Included	RoHS - REACH	Compliant
min ground plane:	3 in		

Environmental Data

General Data

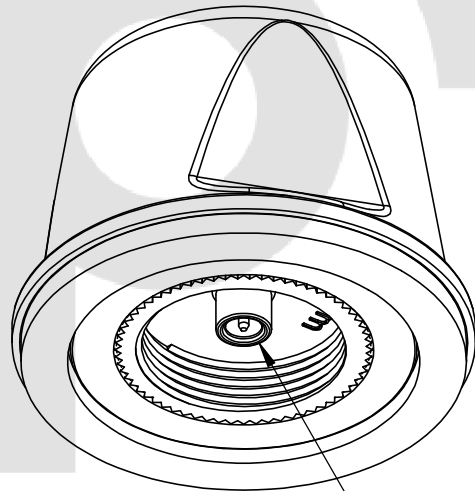
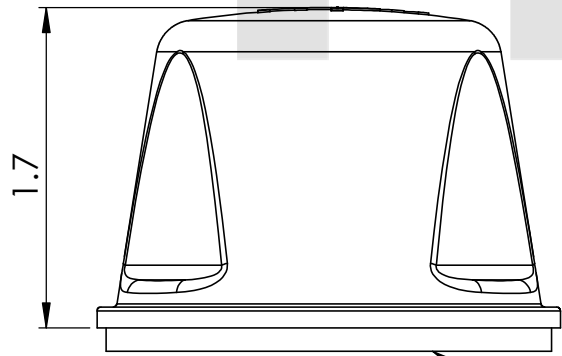
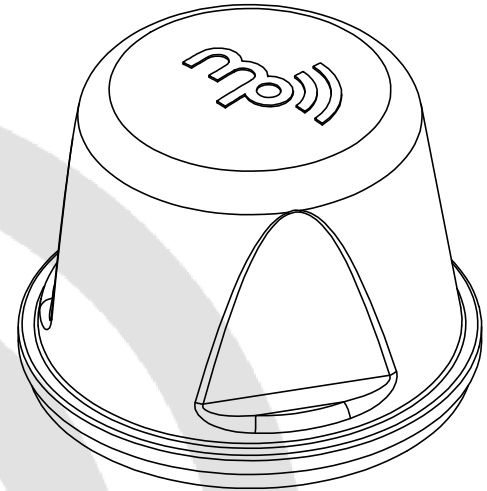
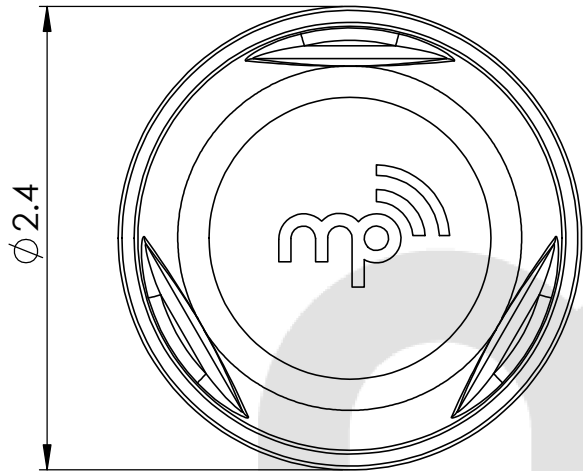
color:	White or Black	length:	2.5 in
antenna feeds:	one	width:	2.5 in
coax length:	N/A	height:	1.75 in
coax type:	N/A	total height:	See Drawing
connector type:	High Frequency NMO	mounting type:	NMO Mount
polarization:	Multi-Polarized	hardware included:	N/A
power:	50 Watts Input		
impedance:	50 ohms Nominal		
construction:	UV Stabilized ASA		

Mechanical Data

*** With built in spatial and polarization diversity, performance in obstructed environments is greater than that of standard antennas with similar or higher laboratory gains.**

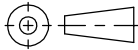


FREQUENCY RANGE	COLOR
4.94-4.99 GHz	BLACK



HIGH FREQUENCY PIN STYLE NMO MOUNT

GASKET

MP ANTENNA, LTD. 147 Eady Court Elyria, OH 44035 www.mpantenna.com	THIRD ANGLE  DIMENSIONS ARE IN INCHES		PROPRIETARY AND CONFIDENTIAL THE INFORMATION CONTAINED IN THIS DRAWING IS THE SOLE PROPERTY OF MP ANTENNA, LTD. ANY REPRODUCTION IN PART OR AS A WHOLE WITHOUT THE WRITTEN PERMISSION OF MP ANTENNA LTD IS PROHIBITED.	DESCRIPTION: 4.9 GHz OMNI NMO	PART NO. 08-ANT-0946-B	
		NAME				DATE
	DRAWN	BM				1/2/15



MP Antenna, LTD.
147 Eady Court
Elyria, Ohio 44035

440.387.5968 phone
440.545.3500 fax
www.mpantenna.com
sales@mpantenna.com

Model: Omni Directional WiFi Antenna

Item part number: 08-ANT-0946
product description: 4.9-4.94 GHz Omni Antenna

Frequency: 4.9 GHz
Max Gain: 6dBi

